



# MS-2 Basic System Connections

- Color Legend**
- (text) Installation Information
  - Operating Power
  - Initiating Device Circuit

## DC Power Outputs (24 VDC)

Supervise with a power supervision relay A77-716B

Resettable Power - 24 VDC (500mA) filtered, power-limited to smoke detectors (IDC).

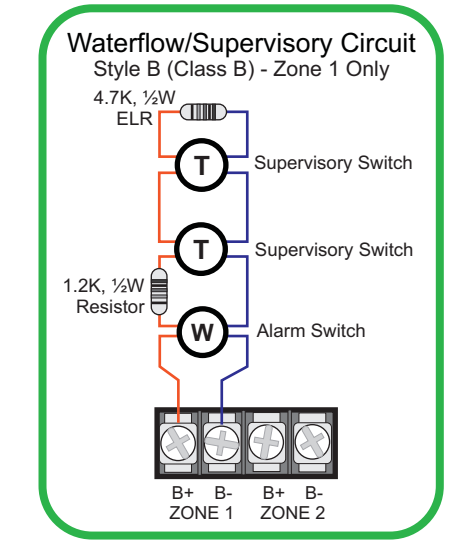
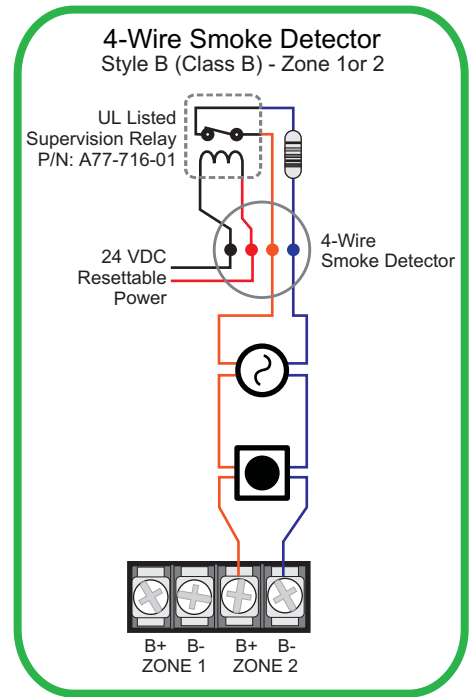
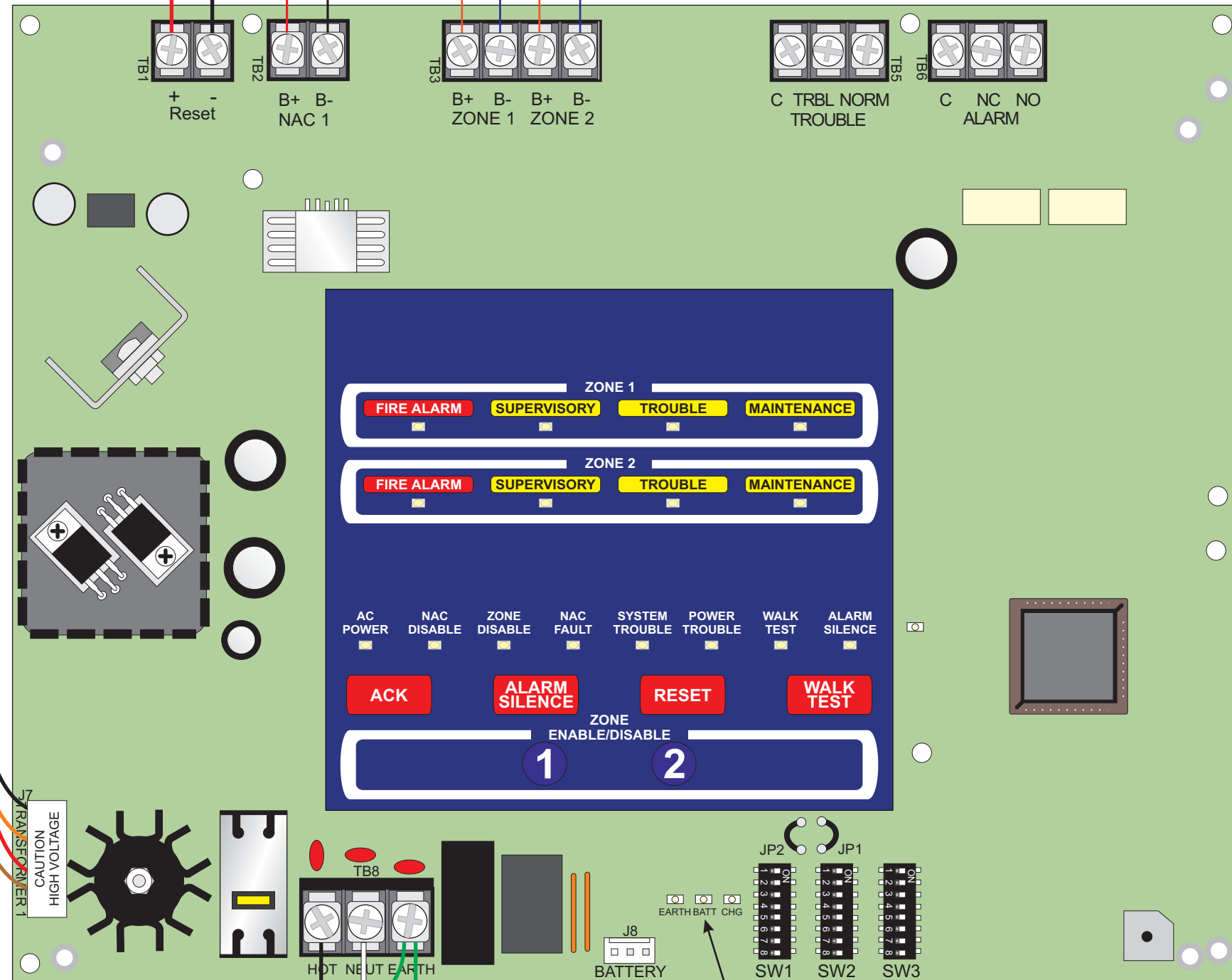
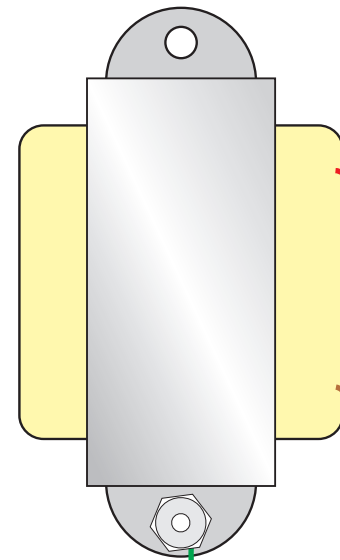
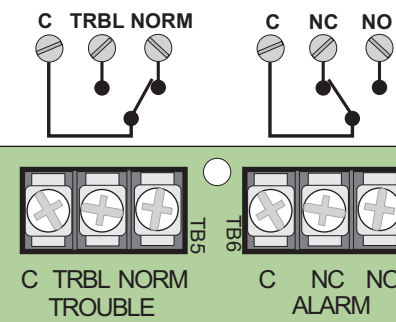
**Notification Appliance Circuit**  
Style Y (Class B)  
2.5 amps max.

**Initiating Device Circuits**  
Style B (Class B)  
See "Waterflow/Supervisory" and "4-Wire Smoke Detector"

Dummy Load all unused circuits. (P/N: 71245)

## Form-C Relays

Resistive Contact Rating: 2.0 amps @ 30 VAC



**CAUTION! HIGH VOLTAGE**

**AC Power**  
120 VAC, 50/60 Hz, 2.3 Amps

HOT  
NEUTRAL  
GROUND

**J8 - Battery Connection**  
7 AH - 18 AH

**Fault LEDs**

**DIP Switches**  
For Programming of the Control Panel refer to Instruction Manual

